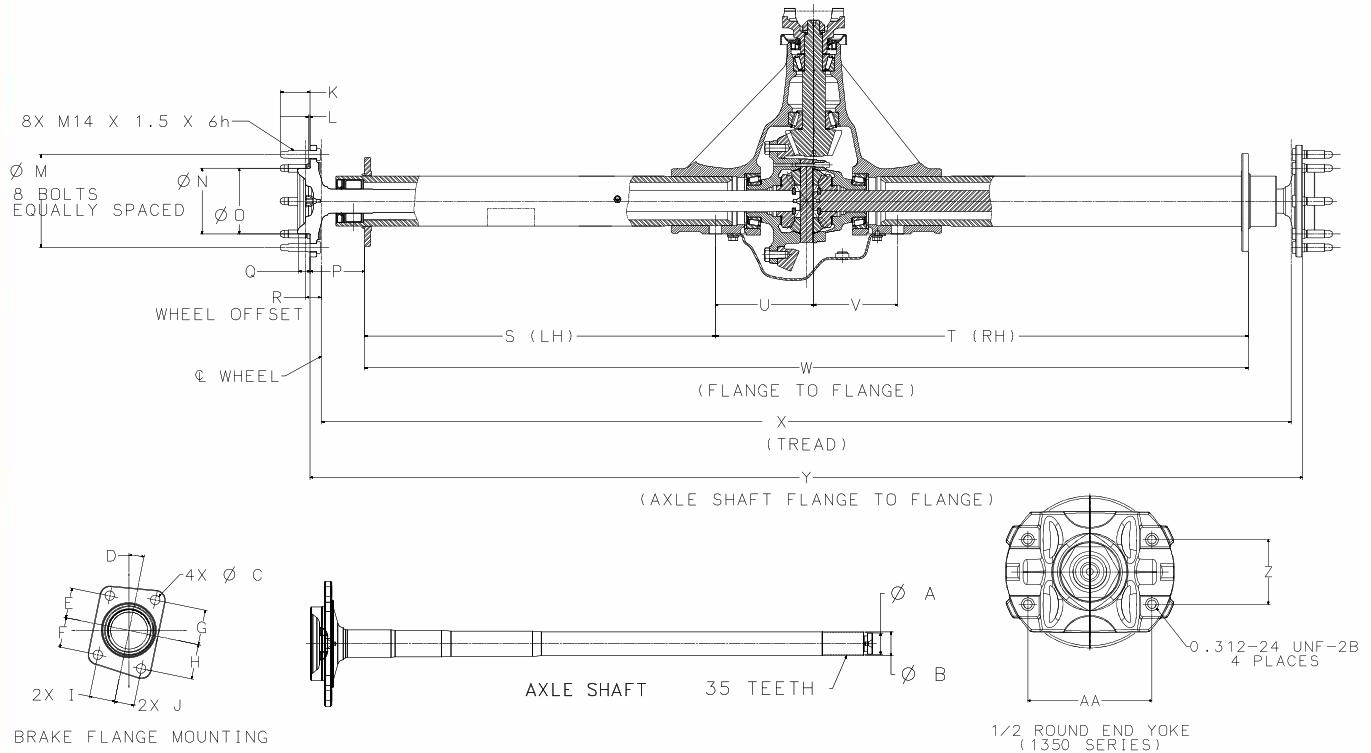




REAR AXLE

Dimensional Specifications



Drawing Reference	Description	MM	Inch	Drawing Reference	Description	MM	Inch
A	Spline - minor diameter	34.44	1.365	N	Wheel pilot	117.4	4.622
B	Spline - major diameter	37.592	1.480	O	Wheel pilot - clearance	116.63	4.592
C	Brake flange - stud clearance hole	17.89	0.704	P	Offset - brake flange to axle shaft flange	96.2	3.787
D	Brake flange - mounting angle	11.5		Q	Shaft flange face to wheel mounting	20.3	0.799
E	Brake flange - stud spacing	54.6	2.150	R	Wheel offset - estimated	28	1.102
F	Brake flange - stud spacing	54.6	2.150	S	Length - left side dowel pin to left side brake flange	622.56	24.510
G	Brake flange - stud spacing	63.5	2.500	T	Length - left side dowel pin to right brake flange	946.24	37.254
H	Brake flange - stud spacing	63.5	2.500	U	Offset - dowel pin hole to end yoke/pinion center	174.545	6.872
I	Brake flange - stud spacing	46.6	1.835	V	Offset - dowel pin hole to end yoke/pinion center	149.225	5.875
J	Brake flange - stud spacing	35.7	1.406	W	Length - brake flange to brake flange	1568.8	61.764
K	Wheel stud - length from shaft flange face	52.8	2.079	X	Wheel tread - estimated	1721.2	67.764
L	Shaft flange face to brake drum mounting	2.95	0.116	Y	Axle shaft flange to flange	1761.2	69.339
M	Wheel stud - bolt circle	165.1	6.500	Z	Input end yoke - stud spacing (1350 series)	42.085	1.657
				AA	Input end yoke - stud spacing (1350 series)	80.95	3.187

For more information, please contact your local Spicer products sales representative or visit our website at www.crateaxle.com.

SPICER®



Dana Aftermarket Group
 PO Box 321 Toledo, Ohio 43697-0321
 Phone: 1.800.621.8084
www.spicerparts.com

Form # 60DimSpec-812
 Copyright Dana Limited, 2012.
 All rights reserved. Dana Limited.
 Printed in U.S.A.

